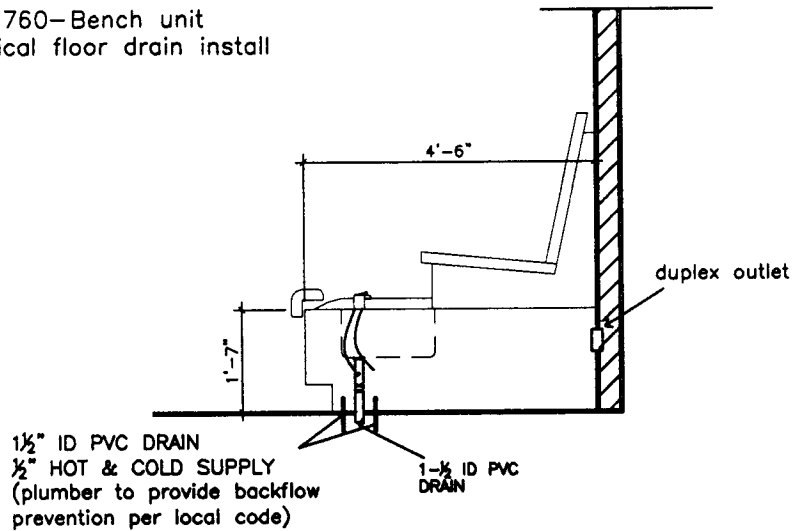


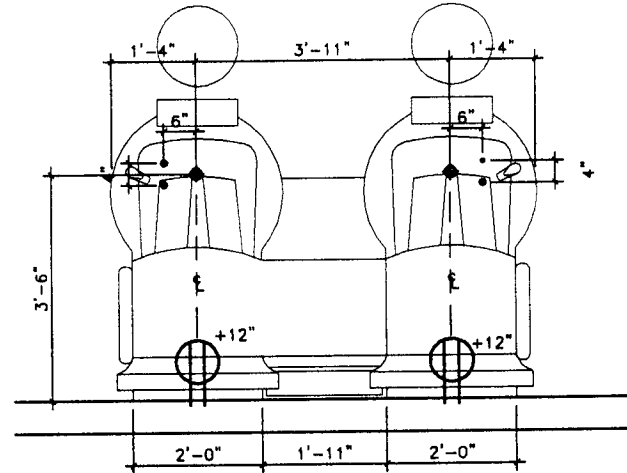
INSTALLATION DRAWING

PDB-802 DOUBLE PIPELESS PEDICURE BENCH

PD 760-Bench unit
Typical floor drain install



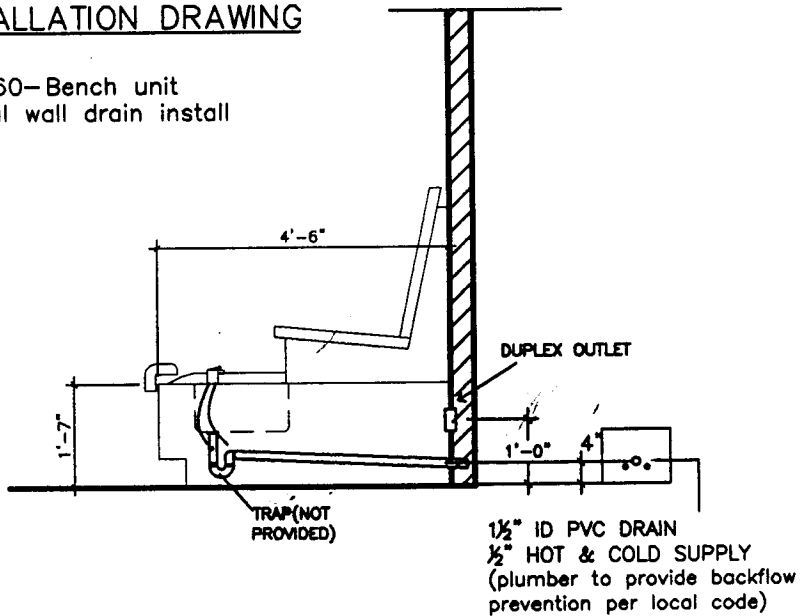
TYPICAL FLOOR DRAIN INSTALLATION SIDE VIEW



TOP VIEW

INSTALLATION DRAWING

PD 760-Bench unit
typical wall drain install



TYPICAL WALL DRAIN INSTALLATION SIDE VIEW

Electrical Requirements:

115V, 60HZ, 2AMP electrical service required for each sink basin

ANY CONFORMANCE WITH LOCAL CODES
OR INSPECTOR IS THE RESPONSABILITY
OF THE PURCHASER

- • 1/2" WASTE,
- • 1/2" HOT & COLD SUPPLY



duplex outlet

INTERSTATE DESIGN IND.

1631 Pomona Rd.

Corona, Ca., 92880

ph: (951)736-0777

fax: (951)736-3932

e-mail: sales@interstatedesignind.com